

PASSAGE SATELLITE SOCKET NAR-SAT 10/NT

ZAMEL

Zakład Mechaniki i Elektroniki
ZAMEL sp.j.

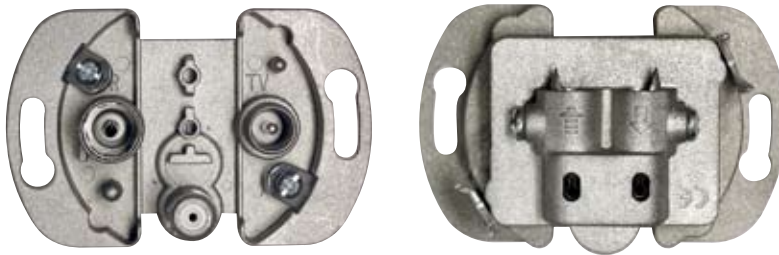
J.W. Dzida, K. Łodzińska

ul. Zielona 27, 43-200 Pszczyna, Poland

Tel. +48 (32) 210 46 65, Fax +48 (32) 210 80 04

www.zamelcet.com, e-mail: marketing@zamel.pl

APPEARANCE



CE **A** CLASS

DESCRIPTION

- Designed for analogue and digital RTV-SAT installations,
- passage socket for aerial and passage, satellite systems of a star-shaped type or individual aerial RTV and SAT installations,
- ensures signal division from multiswitch or digital adder into R, TV and SAT signals,
- two ports: input and output ones, for coaxial conductor conducting signal to and from, in the frequency of 5÷2400 MHz
- two output ports consistent with standard IEC 60169-2 to connect radio receiver "R" and TV receiver "TV",
- one output port, type "F" to connect SAT tuner,
- usage of the frequency ranges of TV, R and SAT bands broadened to 2,4 GHz,
- full characteristic of transmission in particular bands,
- high separation between particular ports,
- transfer of DC voltage on SAT output,
- galvanic separation of input from TV and R outputs,
- reliability and repeated nature of parameters, thanks to the performance in the SMT technology,
- casing of high screening efficiency made of ZnAl alloy.

CERTIFICATES

On the basis of the document: TECHNICAL ASSESSMENT No Nr 080/2007 of the Institute of Communications, the socket NAR-SAT 10/NT fulfils the basic requirements stipulated in standards:

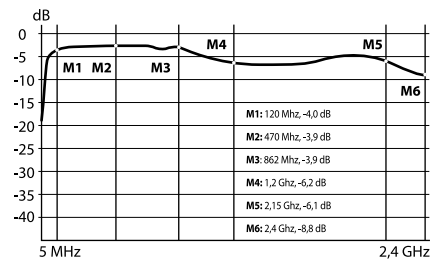
- PN-EN 50083:2003 Cable networks intended for signal transmissions: TV, radio and interactive services. Part 2: Electromagnetic Compatibility of Appliances. Chapter: 5.4, Table 8, Class A;
- PN-EN 50083:2002 Cable networks intended for signal transmissions: TV, radio and interactive services. Part 4: Passive broadband appliances for coaxial cable networks. Chapter: 5.3,
- PN-EN 60728-11:2005(U) Cable networks intended for signal transmissions: TV, radio and multimedia services. Part 11: Safety requirements. Chapters: 10.2, 10.3.

		5	70 88	108 120	174	230	470	862 950	2150	2400 MHz
		RETURN B1	FM	LOW S bottom special band S2+S8	B III VHF III K06+K12	HIGH S hyperband top special band S9+S38	UHF K21+K69	SAT IF	SAT IF broadened	
Coupling attenuation	IN→R	-	12 dB	-	-	-	-	-	-	-
	IN→TV	10 dB	-	10 dB	10 dB	10 dB	12 dB	-	-	-
	IN→SAT	-	-	-	-	-	-	8 dB	6 dB	-
	IN→OUT	4 dB	4 dB	3,5 dB	3,5 dB	4 dB	4 dB	6 dB	7 dB	-
Not fitting attenuation	R	-	7 dB	-	-	-	-	-	-	-
	TV	18 dB	-	12 dB	12 dB	8 dB	5 dB	-	-	-
	SAT	-	-	-	-	-	-	10 dB	14 dB	-
	IN	10 dB	11 dB	12 dB	13 dB	14 dB	20 dB	13 dB	11 dB	-
Screening coefficient		83 dB	82 dB	82 dB	82 dB	82 dB	82 dB	70 dB	65 dB	-
Cross-talk attenuation	R↔TV	≥11,9 dB								
	TV↔SAT	≥24,6 dB								
	R↔SAT	≥34 dB								
Wave impedance IN, OUT	75 Ω									

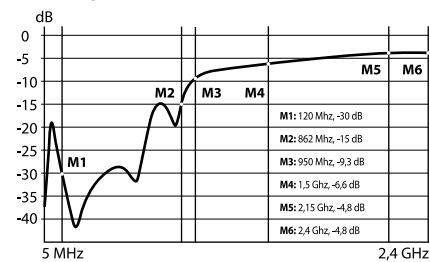
CHARACTERISTICS

SCHEME

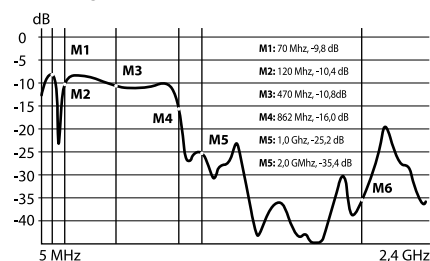
Coupling attenuation IN→OUT



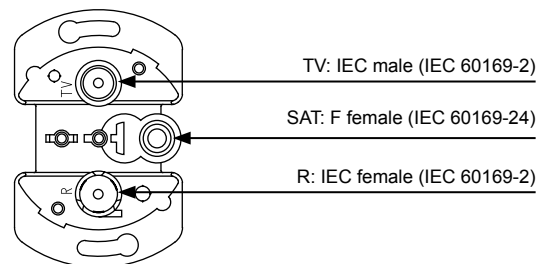
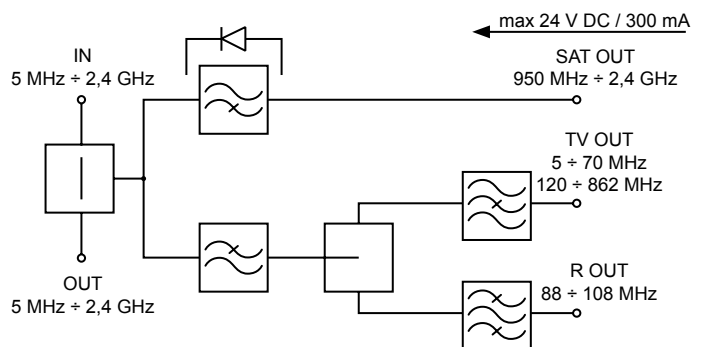
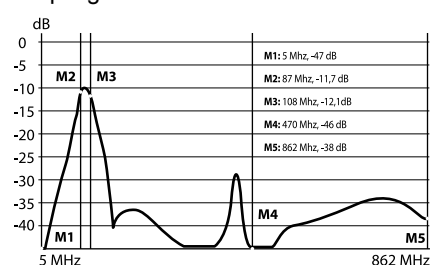
Coupling attenuation IN→SAT



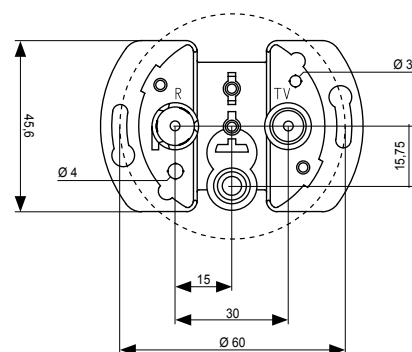
Coupling attenuation IN→TV



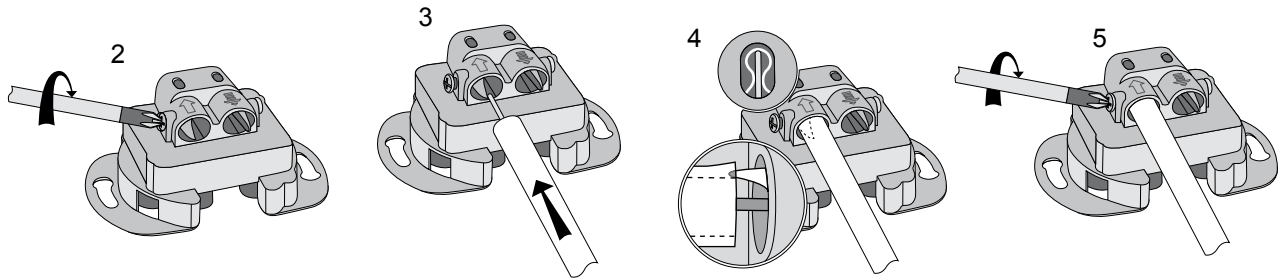
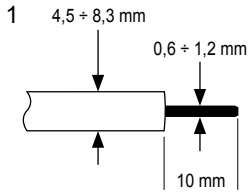
Coupling attenuation IN→R



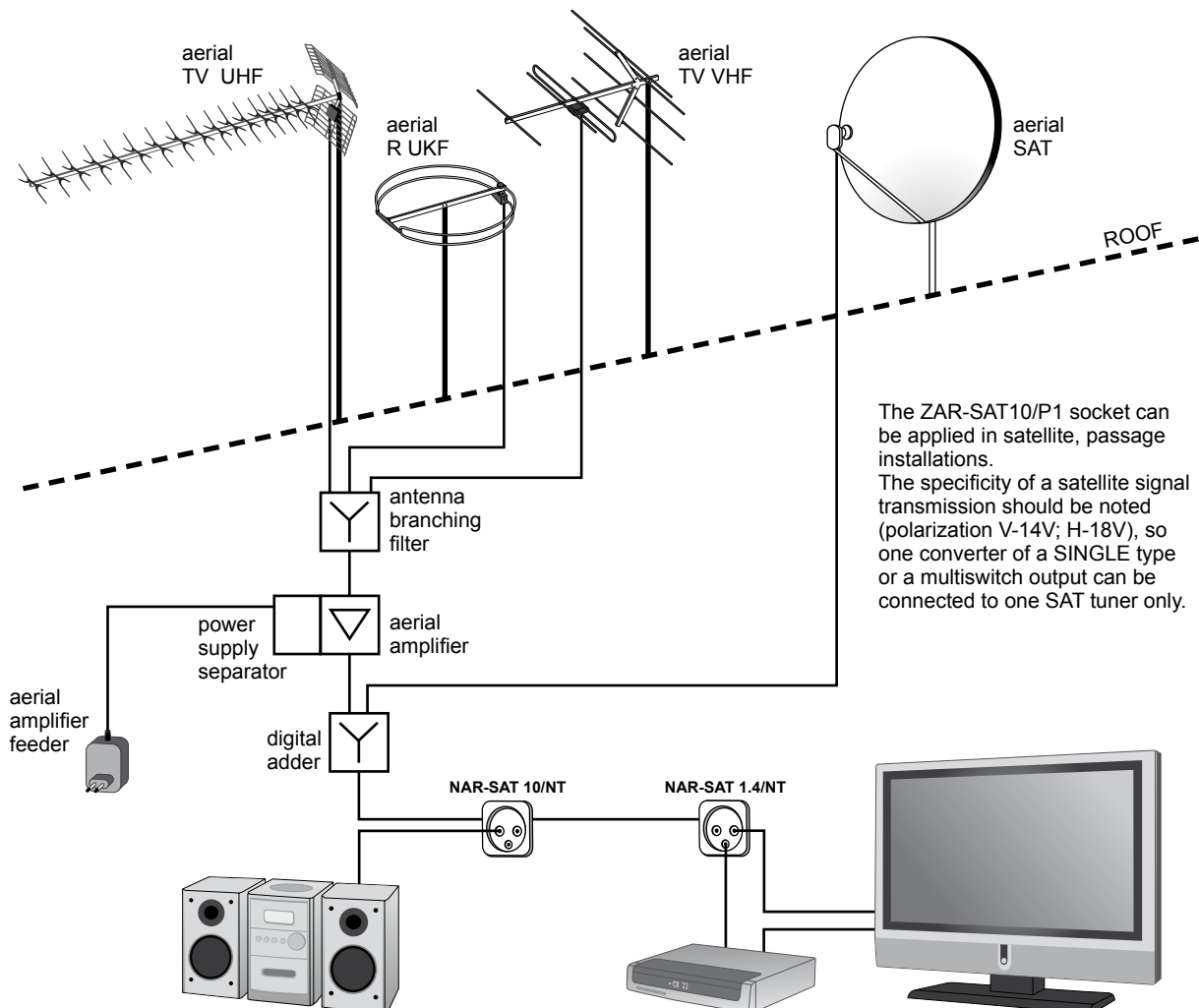
MEASUREMENTS



1. Prepare end of aerial conductor for connection, i. e. insulate conductor of concentric cable, cutting off external insulation, plait and cable core at the same length (illus.1).
2. Unscrew set screw in input socket (illus. 2).
3. Put aerial conductor into it, so that socket point would go between plait and external insulation. The correctness of putting conductor of cable into input clamp should be checked (illus. 4).
4. Screw home set screw in input socket (illus. 5).
5. For output socket, the manner of action is analogous to that for input socket,
6. Put socket into installation box, size Ø60 mm and depending on kind of socket, fix it with clamps or fixing tap screws.
7. Put on frame with cover on socket body.



EXEMPLARY APPLICATION



The ZAR-SAT10/P1 socket can be applied in satellite, passage installations.
The specificity of a satellite signal transmission should be noted (polarization V-14V; H-18V), so one converter of a SINGLE type or a multiswitch output can be connected to one SAT tuner only.